

Housing for Motor Protection Switch with Emergency-Stop and/or detection of rotational direction (Optional with motor protection switch)

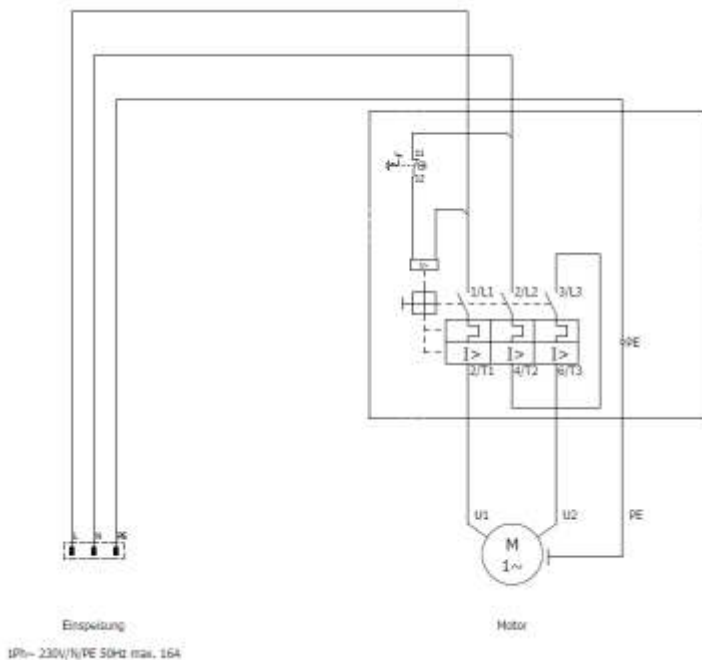
Manual



Diagrams

Single phase power supply

With 1-phase power supply, all poles of the motor protection switch must be connected (see *). The required bridge for this is included in the delivery.



Three phase power supply

